

Technical data sheet



Product features

Freezing cabinet 130 l, white

| | | |
|--------------|-----------------|----------|
| Model | SAP Code | 00018512 |
|--------------|-----------------|----------|



- Chamber volume [l]: 130
- Minimum device temperature [°C]: -10
- Maximum device temperature [°C]: -22
- Insulation thickness [mm]: 40
- Control type: Digital
- Door lock: Yes
- Opening of device: Two-sided
- Annual energy consumption [kWh]: 894

| | | | |
|----------------------------|--------------------|--|-------|
| SAP Code | 00018512 | Chamber volume [l] | 130 |
| Net Width [mm] | 600 | Gross Volume [m3] | 0.425 |
| Net Depth [mm] | 615 | Net Volume [m3] | 0.315 |
| Net Height [mm] | 855 | Minimum device temperature [°C] | -10 |
| Net Weight [kg] | 46.00 | Maximum device temperature [°C] | -22 |
| Power electric [kW] | 0.158 | Refrigerant | R290 |
| Loading | 230 V / 1N - 50 Hz | Refrigerant weight [g] | 46.00 |
| Energy class | C | Climate class | 4 |

Technical data sheet



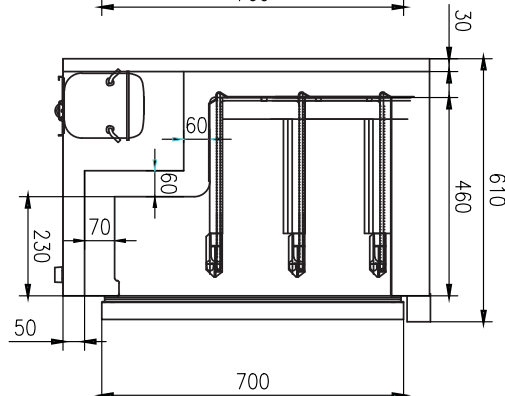
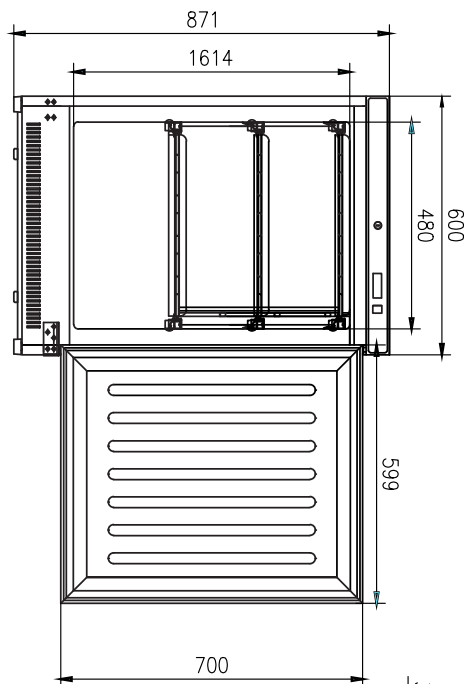
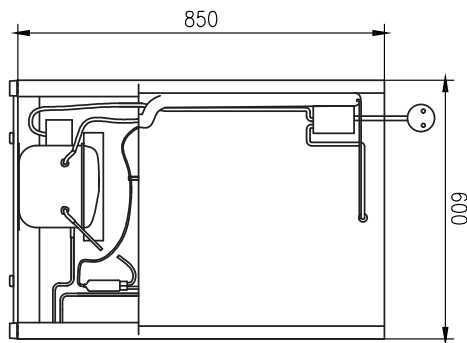
Technical drawing

Freezing cabinet 130 l, white

Model

SAP Code

00018512



Technical data sheet



Technical parameters

Freezing cabinet 130 l, white

Model

SAP Code

00018512

1. SAP Code:

00018512

2. Net Width [mm]:

600

3. Net Depth [mm]:

615

4. Net Height [mm]:

855

5. Net Weight [kg]:

46.00

6. Gross Width [mm]:

625

7. Gross depth [mm]:

645

8. Gross Height [mm]:

1055

9. Gross Weight [kg]:

51.00

10. Device type:

Electric unit

11. Power electric [kW]:

0.158

12. Loading:

230 V / 1N - 50 Hz

13. Energy class:

C

14. Refrigerant:

R290

15. Cooling type:

Static with fan

16. Material:

Stainless steel

17. Exterior color of the device:

White

18. Device properties 2:

Freezing

19. Chamber volume [l]:

130

20. Gross Volume [m3]:

0.425

21. Net Volume [m3]:

0.315

22. Worktop material:

Tin-plate

23. Adjustable feet:

Yes

24. Insulation thickness [mm]:

40

25. Opening of device:

Two-sided

26. Gasket:

Yes

27. Number of doors:

1

28. Unit:

Yes

Technical data sheet



Technical parameters

Freezing cabinet 130 l, white

Model

SAP Code

00018512

29. Control type:

Digital

33. Maximum device temperature [°C]:

-22

30. Door lock:

Yes

34. Refrigerant weight [g]:

46.00

31. Annual energy consumption [kWh]:

894

35. Number of grids:

3

32. Minimum device temperature [°C]:

-10

36. Climate class:

4